

K SERIES RECIPROCATING COMPRESSOR

Reciprocating Compressor / **Two Stage** Open Type

K SERIES



MYCOM

MAYEKAWA
MYCOM

The content of this pamphlet may change without advance notice due to improvements to the product.
* Mayekawa and MYCOM are registered trademarks of Mayekawa Mfg. Co., Ltd.

MAYEKAWA MFG.CO.,LTD.

[Head Office]: 3-14-15 Botan, Koto-ku, Tokyo 135-8482, JAPAN
TEL:(81)3-3642-8181 FAX:(81)3-3643-7094

[Inquiries]: global-contact@mayekawa.co.jp
<http://www.mayekawa.com>

Multi-refrigerant small compressors
One for multiple needs

Reciprocating Compressor [Two Stage] Open Type K-SERIES



* Some optional items are included in this photo.

High Performance Derived from New Design

This newly designed compressor minimizes internal heating of the intake gas resulting in the highest level of performance in our product portfolio.

Rich in Variation

Natural refrigerants (e.g. ammonia) and fluorocarbon refrigerants (R404A etc.) can be used. Accordingly flexible applications is possible.

[Usable refrigerants]

Natural refrigerants	Fluorocarbon refrigerants
Ammonia	R 404 A R 507 A

Much Improved Overhaul Intervals

The overhaul interval has become two times longer than K-type single-stage machine.

* Under normal operation

Applications

This model serve small-scale deep freezing applications.

Variable Load Capability

A wide rotational speed range from 800 to 1500rpm provides a powerful output capacity.

Simplified Package Design

Hydraulic lines for capacity control are incorporated into the casing design, allowing simplified package designs and easy maintenance.

Specifications

Item	Model* ¹ (N/F)	62K
Refrigerant		Ammonia / HFCs (R404A, R507A)
Compressor type		Reciprocating, Open Type
Number of cylinders		Low stage : 6 High stage : 2
Bore	mm	85
Stroke	mm	65
Displacement* ²	m ³ /h	Low stage : 129 High stage : 42.9
Rotation speed	rpm	800-1500* ³
Drive method		Direct drive / V-belt
Capacity control	%	100/66/33

*1. Specify the refrigerant by adding a prefix to the type code (N = Ammonia / F = Fluorocarbons).

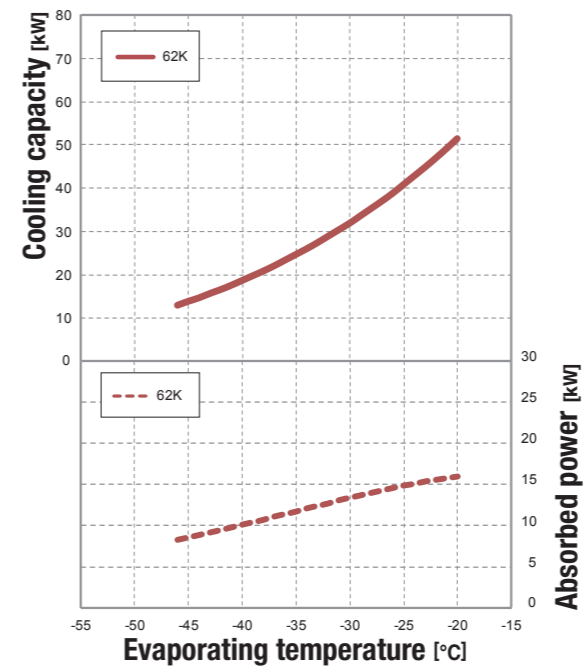
*2. Displacement at 970 rpm

*3. The range of rotation speed varies by operating conditions. Please refer to the ranges of use stated in the operating instructions.

Performance charts

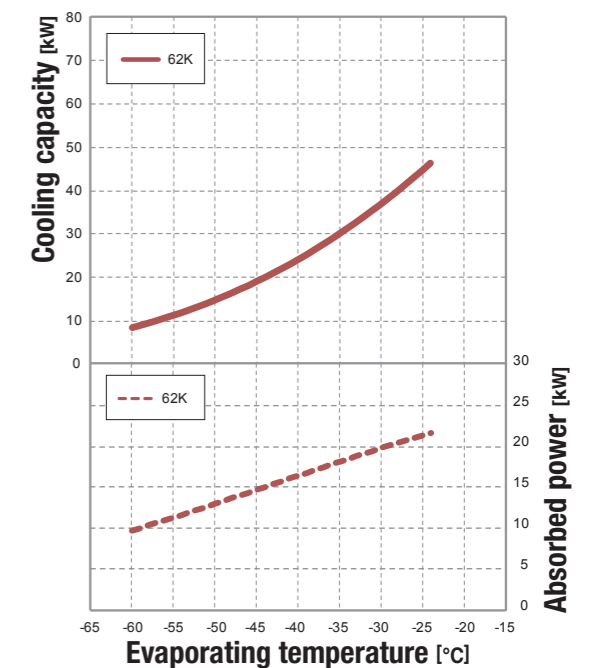
Ammonia

Condensing temperature: 35°C
Suction Superheat: 0°C
Rotation speed: 970rpm
Liquid Subcooling: 5°C



R404A

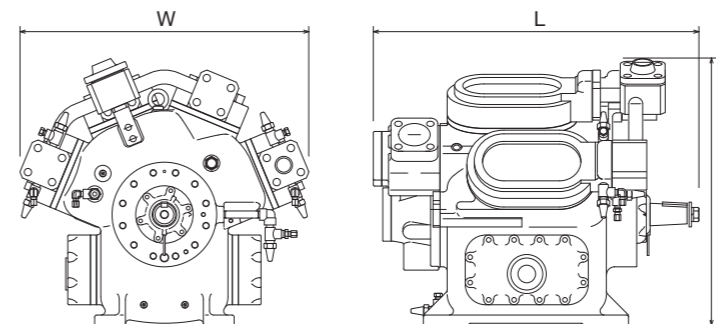
Condensing temperature: 35°C
Suction Superheat: 20°C
Rotation speed: 970rpm
Liquid Subcooling: 5°C



* Please consult us for further details.

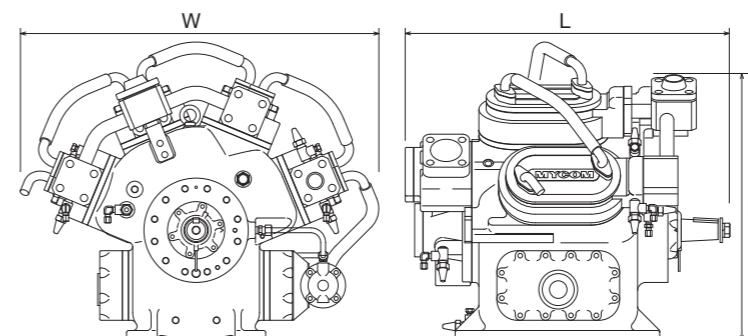
Outer dimensions

[Air cooled type (HFCs)]



Model (F)	Weight (kg)	W (mm)	L (mm)	H (mm)
62K	430	705	760	645

[Water cooled type (Ammonia)]



Model (N)	Weight (kg)	W (mm)	L (mm)	H (mm)
62K	450	830	760	725

* The outer dimension drawings illustrate the 6-cylinder model.

* The stop valve, companion flange, flywheel, V-pulley, and safety valve are not included. * The oil cooler is included only for the water cooled type.