

WBHE SERIES RECIPROCATING COMPRESSOR



WBHE SERIES RECIPROCATING COMPRESSOR

Reciprocating Compressor / **Two Stage** Open Type

WBHE SERIES



MYCOM

* Some optional items are included in this photo.

The content of this pamphlet may change without advance notice due to improvements to the product.
* Mayekawa and MYCOM are registered trademarks of Mayekawa Mfg. Co., Ltd.

MAYEKAWA
MYCOM

MAYEKAWA MFG.CO.,LTD.

[Head Office]: 3-14-15 Botan, Koto-ku, Tokyo 135-8482, JAPAN
TEL:(81)3-3642-8181 FAX:(81)3-3643-7094

[Inquiries]: global-contact@mayekawa.co.jp
<http://www.mayekawa.com>

PD148 01001609-16.09.

More than 15,000 units serving across the world. A proven model with an industry leading reliability and track record.

Reciprocating Compressor [Two Stage] Open Type WBHE-SERIES

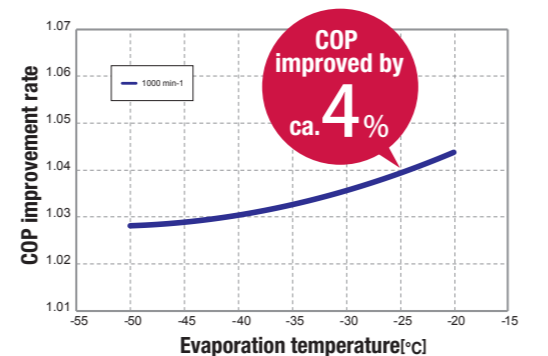


* Some optional items are included in this photo.

New Design with Enhanced Performance

Redesigned valve structure and reduced mechanical losses have achieved further improvements in performance compared to conventional models.

[COP improvement of WBHE series]



* Ratio compared to the COP of a conventional model (WBH)

Applications

With a high-pressure design suitable for use in air-cooled condensing units for fluorocarbon refrigerants, the model serve large-scale deep freezing applications.

[Usable refrigerants]

Natural refrigerants	Fluorocarbon refrigerants
Ammonia	R 4 0 4 A R 5 0 7 A

High Reliability

A long-selling model with industry-leading reliability and track record, designed for tough applications subject to load fluctuation.

Specifications

Model*1 (N/F)		42WBHE	62WBHE
Item			
Refrigerant		Ammonia / HFCs (R404A, R507A)	
Compressor type		Reciprocating, Open Type	
Number of cylinders		Low stage : 4 High stage : 2	Low stage : 6 High stage : 2
Bore	mm	130	
Stroke	mm	100	
Displacement*2	m ³ /h	Low stage : 309 High stage : 155	Low stage : 464 High stage : 155
Rotation speed	rpm	800-1200*3	
Drive method		Direct drive / V-belt	
Capacity control	%	100/50	100/66/33

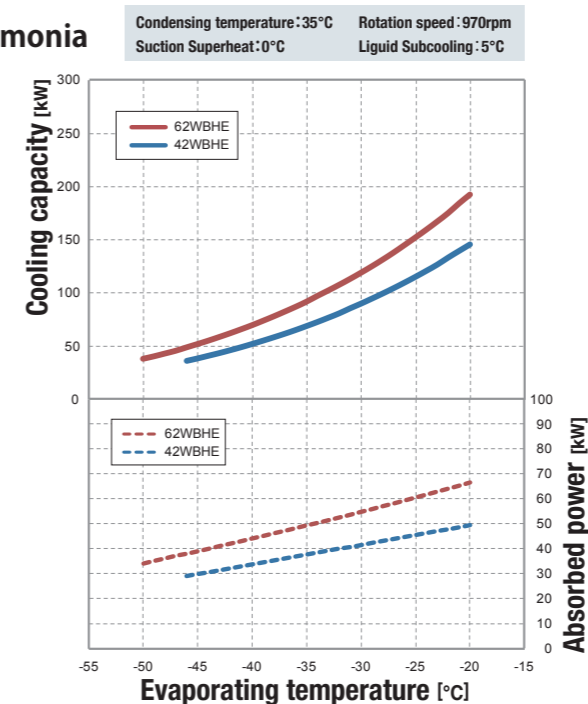
*1. Specify the refrigerant by adding a prefix to the type code (N = Ammonia / F = Fluorocarbons).

*2. Displacement at 970 rpm

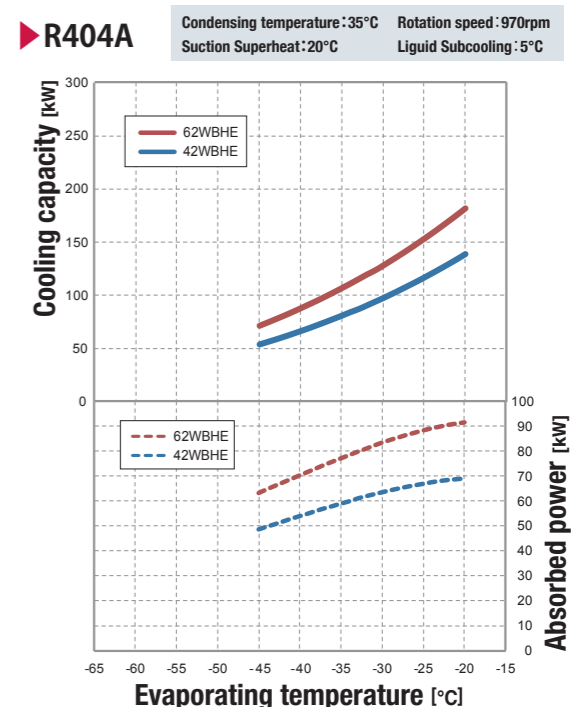
*3. The range of rotation speed varies by operating conditions. Please refer to the ranges of use stated in the operating instructions.

Performance charts

Ammonia



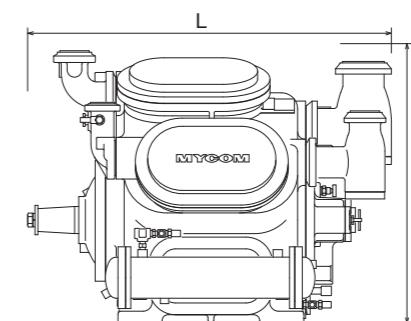
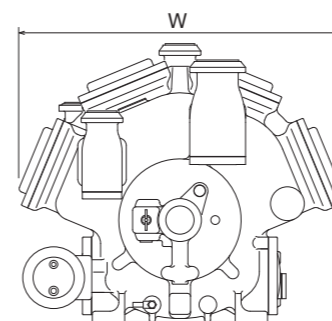
R404A



* Please consult us for further details.

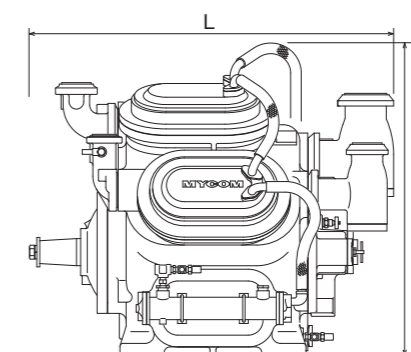
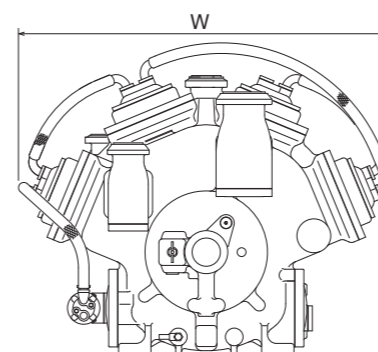
Outer dimensions

[Air cooled type (HFCs)]



Model (F)	Weight (kg)	W (mm)	L (mm)	H (mm)
42WBHE	1160	1065	1225	900
62WBHE	1290	1100	1240	950

[Water cooled type (Ammonia)]



Model (N)	Weight (kg)	W (mm)	L (mm)	H (mm)
42WBHE	1190	1210	1225	1035
62WBHE	1330	1285	1240	1065

* The outer dimension drawings illustrate the 6-cylinder model.

* The stop valve, companion flange, flywheel, V-pulley, and safety valve are not included. * The oil cooler is included.