

WBHE SERIES RECIPROCATING COMPRESSOR



WBHE SERIES RECIPROCATING COMPRESSOR

Reciprocating Compressor / **Single Stage** Open Type

WBHE SERIES



MYCOM

MAYEKAWA
MYCOM

The content of this pamphlet may change without advance notice due to improvements to the product.
* Mayekawa and MYCOM are registered trademarks of Mayekawa Mfg. Co., Ltd.

MAYEKAWA MFG.CO.,LTD.

[Head Office]: 3-14-15 Botan, Koto-ku, Tokyo 135-8482, JAPAN
TEL:(81)3-3642-8181 FAX:(81)3-3643-7094

[Inquiries]: global-contact@mayekawa.co.jp
<http://www.mayekawa.com>

PD131 01001609-16.09.

* Some optional items are included in this photo.

More than 15,000 units serving across the world. A proven model with an industry leading reliability and track record.

Reciprocating Compressor [Single Stage] Open Type WBHE-SERIES

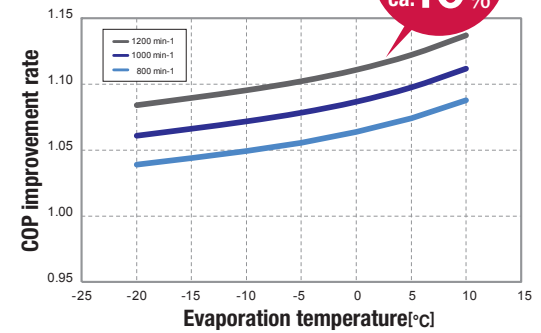


* Some optional items are included in this photo.

New Design with Enhanced Performance

Redesigned valve structure and reduced mechanical losses have achieved further improvements in performance compared to conventional models.

[COP improvement of WBHE series]



* Ratio compared to the COP of a conventional model (WBH)

Applications

With a high-pressure design suitable for use in air-cooled condensing units for fluorocarbon refrigerants, the model operates over a wide range of temperature and serves in large-scale refrigerating and freezing applications.

[Usable refrigerants]

| Natural refrigerants | Fluorocarbon refrigerants |
|----------------------|---------------------------|
| Ammonia | R134a |
| Propane | R404A |
| | R507A |
| | R23 |

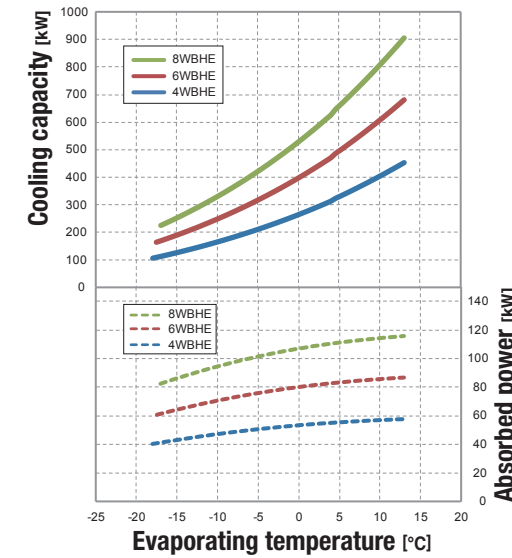
High Reliability

A long-selling model with industry-leading reliability and track record, designed for tough applications subject to load fluctuation.

Performance charts

Ammonia

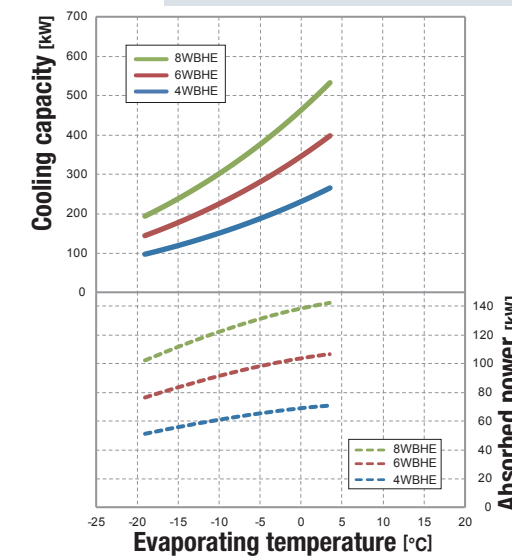
Condensing temperature: 40°C
Suction Superheat: 0°C
Rotation speed: 970rpm
Liquid Subcooling: 5°C



* Some optional items are included in this photo.

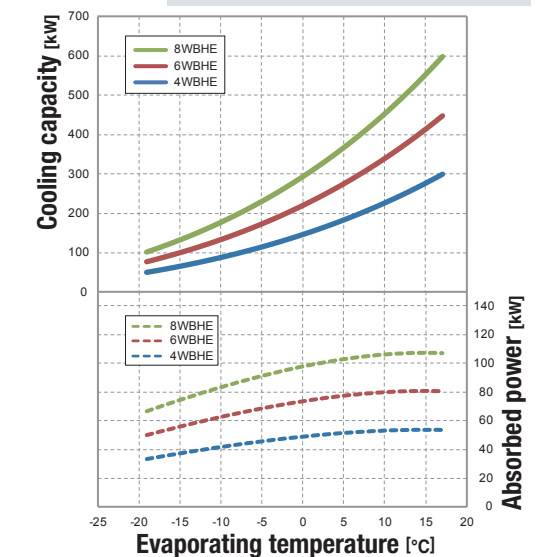
R404A

Condensing temperature: 40°C
Suction Superheat: 20°C
Rotation speed: 970rpm
Liquid Subcooling: 5°C



R134a

Condensing temperature: 40°C
Suction Superheat: 20°C
Rotation speed: 970rpm
Liquid Subcooling: 5°C



* Please consult us for further details.

Specifications

| Item | Model* ¹ (N/P/F) | 4WBHE | 6WBHE | 8WBHE |
|----------------------------|-----------------------------|--|---------------------------|------------------------------|
| Refrigerant | | Ammonia / Propane / HFCs (R134a, R404A, R507A, R23* ²) | | |
| Compressor type | | Reciprocating, Open Type | | |
| Number of cylinders | | 4 | 6 | 8 |
| Bore | mm | 130 | | |
| Stroke | mm | 100 | | |
| Displacement* ³ | m ³ /h | 309 | 464 | 618 |
| Rotation speed | rpm | 800-1200* ⁴ | | |
| Drive method | | Direct drive / V-belt | | |
| Capacity control | % | 100/50 | 100/66/33/0* ⁵ | 100/75/50/25/0* ⁵ |

*1. Specify the refrigerant by adding a prefix to the type code (N = Ammonia / P = Propane / F = Fluorocarbons).

*2. If R23 is to be used as the refrigerant, the machine will come with special specifications. Please contact us for detailed information.

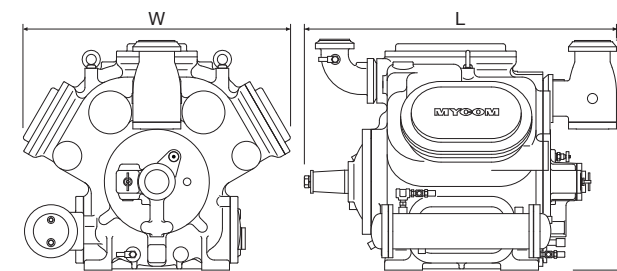
*3. Displacement at 970 rpm

*4. The range of rotation speed varies by operating conditions. Please refer to the ranges of use stated in the operating instructions.

*5. The capacity control value of 0% can be realized by an optional feature. Please contact us for detailed information.

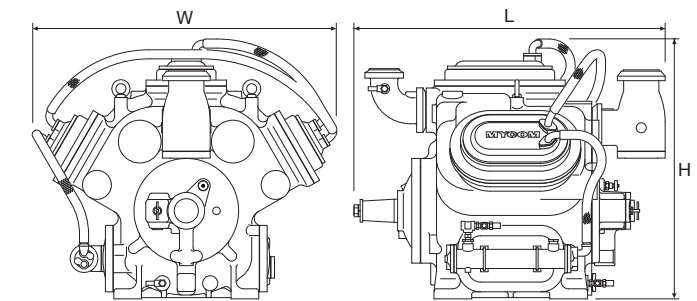
Outer dimensions

[Air cooled type (Propane, HFCs)]



| Model (P/F) | Weight (kg) | W (mm) | L (mm) | H (mm) |
|-------------|-------------|--------|--------|--------|
| 4WBHE | 875 | 990 | 1075 | 920 |
| 6WBHE | 1155 | 1060 | 1240 | 915 |
| 8WBHE | 1245 | 1095 | 1240 | 905 |

[Water cooled type (Ammonia)]



| Model (N) | Weight (kg) | W (mm) | L (mm) | H (mm) |
|-----------|-------------|--------|--------|--------|
| 4WBHE | 890 | 1050 | 1075 | 920 |
| 6WBHE | 1180 | 1210 | 1240 | 1035 |
| 8WBHE | 1280 | 1285 | 1240 | 1060 |

* The outer dimension drawings illustrate the 6-cylinder model.

* The stop valve, companion flange, flywheel, V-pulley, and safety valve are not included. * The oil cooler is included.