

HS SERIES RECIPROCATING COMPRESSOR

Reciprocating Compressor / **Single Stage** Open Type

HS SERIES



MYCOM

* Some optional items are included in this photo.

MAYEKAWA
MYCOM

The content of this pamphlet may change without advance notice due to improvements to the product.
* Mayekawa and MYCOM are registered trademarks of Mayekawa Mfg. Co., Ltd.

MAYEKAWA MFG.CO.,LTD.

[Head Office]: 3-14-15 Botan, Koto-ku, Tokyo 135-8482, JAPAN
TEL:(81)3-3642-8181 FAX:(81)3-3643-7094

[Inquiries]: global-contact@mayekawa.co.jp
<http://www.mayekawa.com>

High pressure (60bar) and high capacity compressor series
Compatible with natural refrigerants

Reciprocating Compressor [Single Stage] Open Type HS-SERIES



* Some optional items are included in this photo.

A newly designed compressor series which can generate up to 90 °C hot water with ammonia heat pump systems

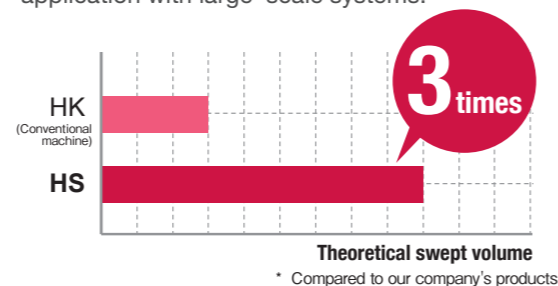
Oil consumption has been reduced through design review and achieved stable operation of ammonia heat pump systems. This series can also be used for systems utilizing exhaust and waste heat.

60bar high pressure design

Achieved higher pressure design compared with conventional high pressure compressors. From CO₂ cascades to ammonia heat pumps, these compressors can be utilized for a wide temperature range. This series can also be used for CO₂ hot gas defrost systems.

Achieved high capacity

The HS series has a capacity at about 3 times as high compared with conventional high pressure compressors. This flexibly contributes to the application with large scale systems.



Specifications

Item	Model*1 (N/C)		
	4HS	6HS	
Refrigerant	Ammonia / CO ₂		
Compressor type	Reciprocating, Open Type		
Number of cylinders	4	6	
Bore	mm	130	
Stroke	mm	84	
Displacement*2	m ³ /h	388	582
Rotation speed	rpm	750-1500*3	
Drive method	Direct drive		
Capacity control	%	100/75/50/25	100/83/66/50/33

*1. Specify the refrigerant by adding a prefix to the type code (N = Ammonia / C = CO₂).

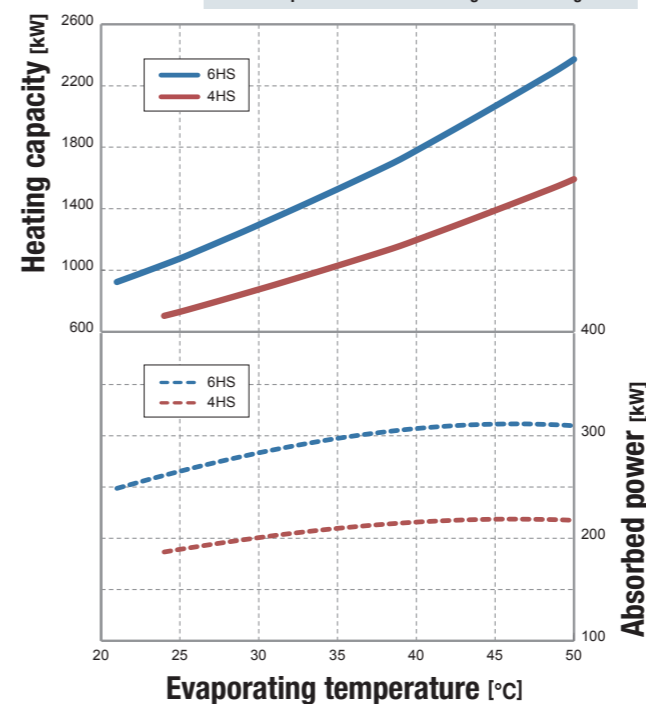
*2. Displacement at 1450 rpm

*3. The range of rotation speed varies by operating conditions. Please refer to the ranges of use stated in the operating instructions.

Performance charts

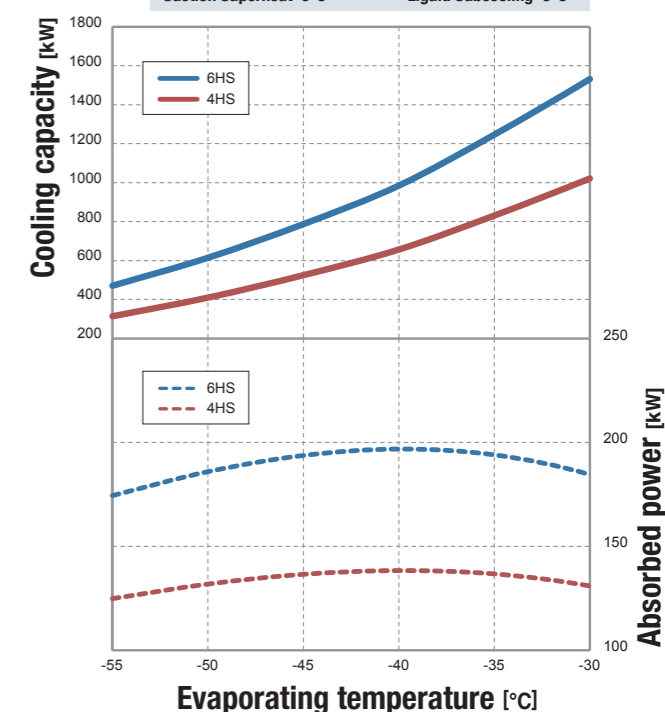
Ammonia

Condensing temperature: 85°C
Suction Superheat: 0°C
Rotation speed: 1450rpm
Liquid Subcooling: 5°C



CO₂

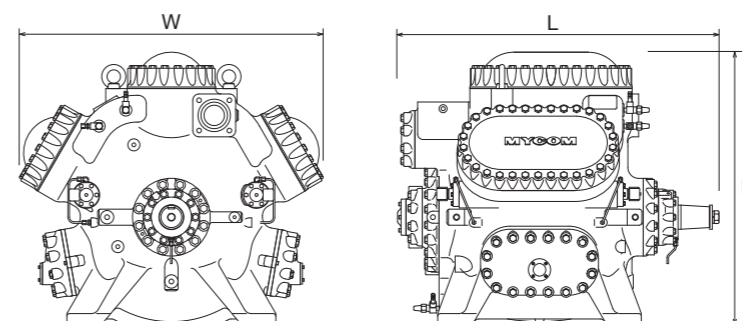
Condensing temperature: -10°C
Suction Superheat: 0°C
Rotation speed: 1450rpm
Liquid Subcooling: 0°C



* Please consult us for further details.

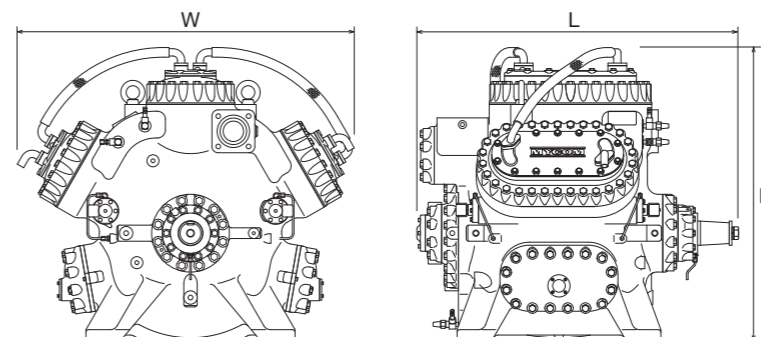
Outer dimensions

[Air cooled type (CO₂)]



Model (C)	Weight(kg)	W (mm)	L (mm)	H (mm)
4HS	1600	1020	1115	1000
6HS	1800	1135	1165	1020

[Water cooled type (Ammonia)]



Model (N)	Weight(kg)	W (mm)	L (mm)	H (mm)
4HS	1650	1100	1115	1100
6HS	1850	1260	1165	1095

* The outer dimension drawings illustrate the 6-cylinder model.

* The stop valve, companion flange, flywheel, safety valve, and oil cooler are not included.