

M

MAYEKAWA
MYCOM

Series

Reciprocating Compressor



Single Stage [Open Type]
Two Stage [Open Type]

<https://americas.mayekawa.com/mna>

M

Series

M-Series Reciprocating Compressor

Premium efficiency reciprocating compressor package

A REVOLUTION IN EFFICIENCY

NATURE'S MATCH

Mayekawa's latest in the reciprocating compressor range, the M-Series has quickly grown in popularity, exceeding our expectations to be our most efficient and robust model yet. Our focused research and commitment to reducing energy consumption and maintenance frequency has demonstrated great results. Since the debut in the market in 2009, over 2,100 M-Series compressors have been sold worldwide, playing a key role in facilitating upgrade rebates and incentives where available.

*Detailed reports on the M performance in comparison to the W-Series and non-MYCOM brands are available upon request.

LONGER OVERHAUL TERM

The overhaul term with the M-Series is 16,000 hours, depending on operating conditions. This is 1.5 times longer than the WA / WBHE series compressors.



EASY MAINTENANCE

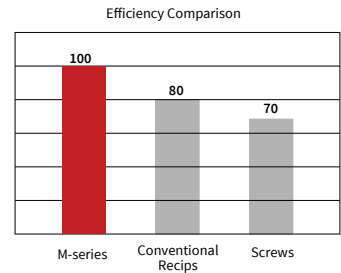
The M-Series was built by re-designing the conventional compressor from the ground up, to offer easy maintenance as well as higher efficiency.

SPECIFICATIONS * Maximum speed varies with type of refrigerant.

		2M	4M	6M	8M	62M
Refrigerant		NH3 / HFC / Propane				
Weight of Compressor	kg/lbs	850 / 1,874	1,300 / 2,867	1,580 / 3,484	1,830 / 4,035	2,000 / 4,410
Cylinder Diameter	mm/inch	146 / 5.75				
Stroke	mm/inch	106 / 4.17				
Design Pressure	MPa/PSI	3.0 / 435				
Number of Cylinders		2	4	6	8	Low Stage 6 High Stage 2
Revolution	rpm	600 ~ 1,500*	800 ~ 1,500*			
Displacement (CFM)	600rpm	75.2	-	-	-	-
	800rpm	100	200	300	400	300 100
	1,000rpm	125	250	375	500	375 125
	1,200rpm	150	300	450	600	450 150
	1,500rpm	188	376	564	752	564 188
Driving Method		Direct Drive / V, 8V-Belt Drive				
Flywheels		C6	C8, C10 / V, 8V-4, 6, 8			
Volume Control	Load %	0, 50, 100	0, 50, 100	0, 33, 66, 100	0, 25, 50, 75, 100	0, 33, 66, 100 (Low Stage Only)
	Method	Hydraulic Control Solenoid Valve (Load When Energized)				
	Voltage V	120				
Refrigerant Oil		ISO-VG 46 to 68 (Ask Mayekawa Branch)				
Oil Charge Amount	l / Gal	20 / 5.3	32 / 8.5	38 / 10.0	44 / 11.6	44 / 11.6

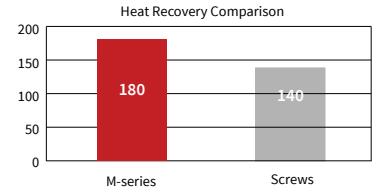
REDUCE ENERGY

With efficiencies up to 20% better than reciprocating compressors that are available in the marketplace and up to 30% better than mini screw compressors, the M-series has the power to reduce bottom line operating costs.



RE-USE HEAT AND COMPRESSION

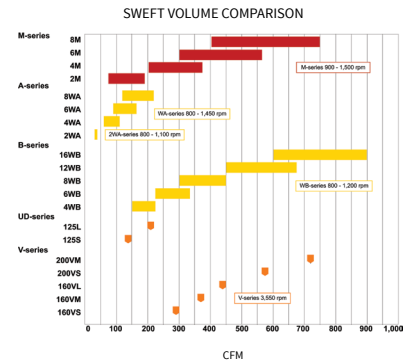
Increase the performance of your refrigeration facility by capturing the heat of compression generated by the M compressor (greater than that of a screw compressor) to substantially improve the energy efficiency of any refrigeration system.



REFRIGERATE

- Greater efficiency with a screw capacity range
- Less BHP per ton
- Compact in design
- Precision design effortless overhaul
- 50% ~ 60% increase in run times between overhaul*

*Overhaul times based on best case scenario



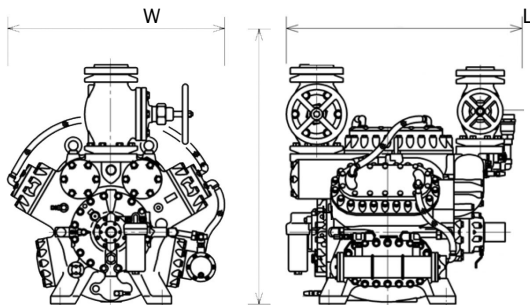
NEW FULLY AIR COOLED OPTION

The only fully air cooled recip in the MYCOM lineup. The M-Series now has an option for air cooled heads and no oil cooler when operating on ammonia.

Refrigerant	Cooling Method	
	Head cover	Oil cooler
NH3 (ammonia)	Water cooling	Water cooling
	Air cooling	Without oil cooler
HFC	Air cooling	Water cooling
Propane	Air cooling	Water cooling

DIMENSIONS

Dimensions are for reference only. Please contact MYCOM for more detailed drawings.



Models	mm (inch)		
	W	L	H
2M	713 (28)	1,160 (45 3/4)	1,086 (42 3/4)
4M	1,019 (40)	1,256 (49 1/2)	1,256 (49 1/2)
6M	1,147 (45)	1,269 (50)	1,269 (50)
8M	1,147 (45)	1,339 (52 1/2)	1,339 (52 1/2)

MAYEKAWA USA, INC.
<https://americas.mayekawa.com/mna>

Tel: +1 (832) 975-0975
 24 Hr Service: +1 (800) 836-9266
 Email: info@mayekawausa.com

MAYEKAWA CANADA, INC.
<https://americas.mayekawa.com/mna>

Vancouver: +1 (604) 270-1544
 Calgary: +1 (403) 250-1554
 Toronto: +1 (905) 564-0664

