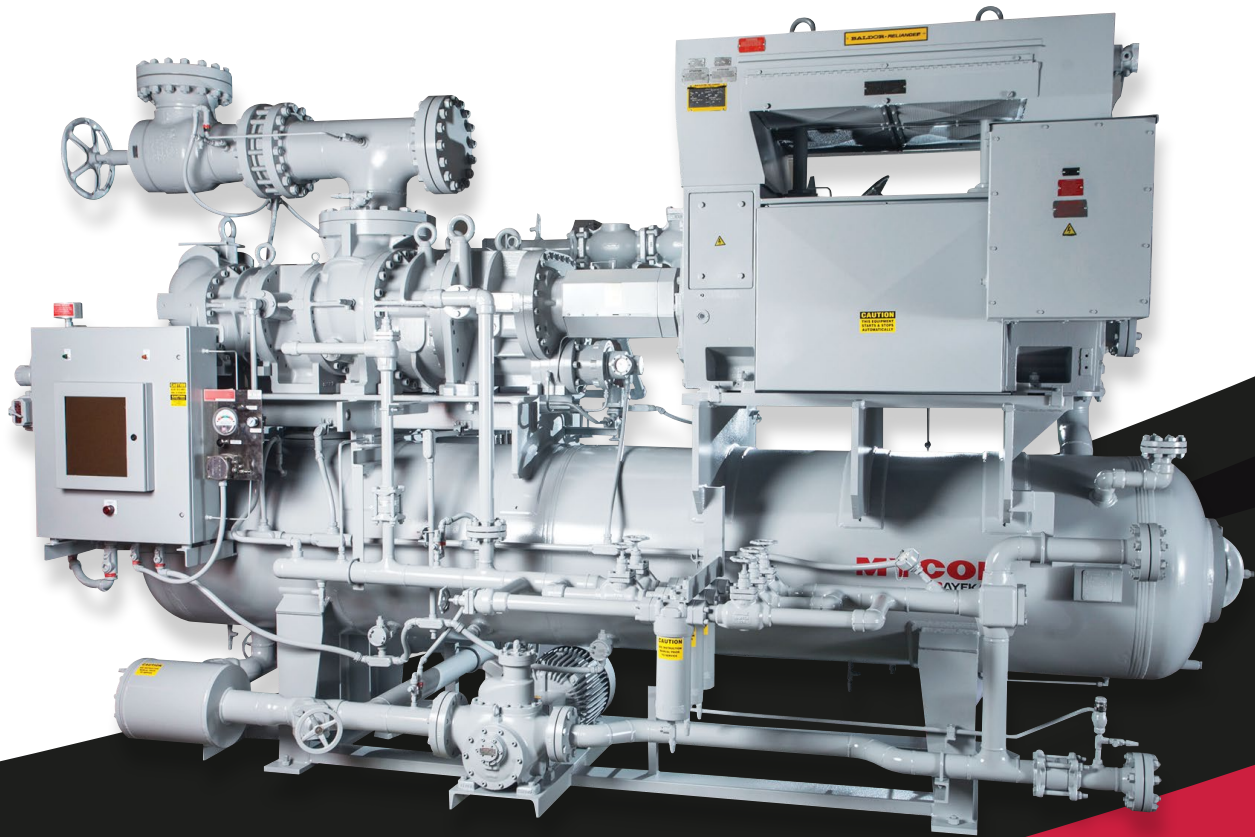


C

MAYEKAWA
MYCOM

Series

Screw Compressor Package



Two Stage
Open Type

<https://americas.mayekawa.com/mna>

C

Series

C-Series Screw Compressor Package

Compound screw compressor package

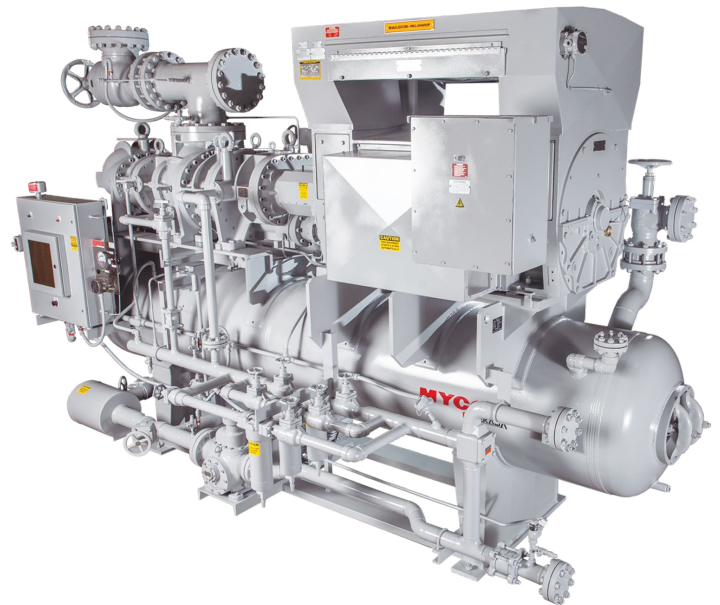
TWO-STAGE REFRIGERATION SYSTEM IN ONE COMPRESSOR PACKAGE

The MYCOM C-Series compressor gives users the energy benefit of a two-stage system in a single, integrated package. The inherent design advantage of the C-Series package allows for a reduction of total ownership cost.

Traditional two-stage refrigeration systems require two compressors, motors, and oil separators. They also require auxiliary equipment like an intercooler and all the interconnecting piping and valves required to connect to all the components. The MYCOM C-Series compressor only uses one increased space requirement.

PRODUCT HIGHLIGHTS

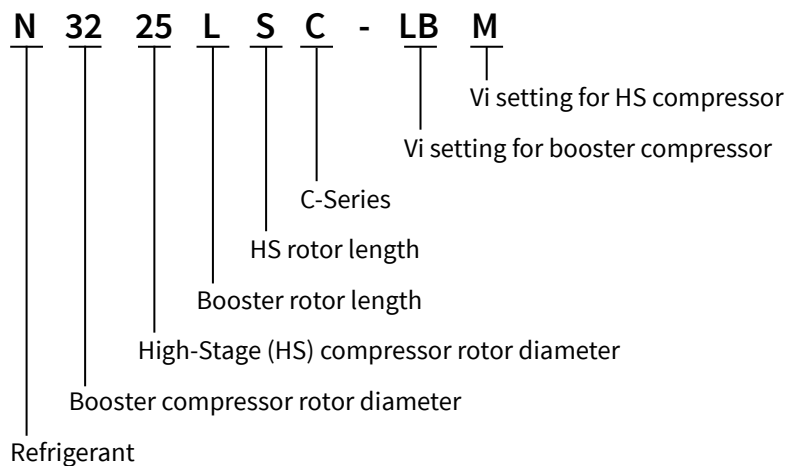
- Low temperature compression to -76F (-62C) in a single package
- 203-8, 120 CFM compressor swept volume
- ~18-875 TR capacity range (at -40/95F)
- 30-3000HP motor sizes
- Over 50 possible model combinations to meet any need.



DESIGN CONCEPT

The C-Series integrates a two-stage refrigeration system into a single, compact package. A single compressor housing and integrated package reduces first cost, installation cost and maintenance cost for an economical and energy efficient package.

Compound C-Series compressors are suitable for low temperature applications where energy savings is important and space is at a premium. The C-Series compressor is suitable for Ammonia and Freon applications.



MYPRO TOUCH+

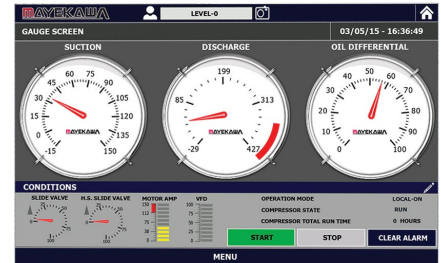
The next generation MYPRO TOUCH+ control panel is designed to maximize the performance of your MYCOM compressor package. The new touch screen interface boasts a revised control designed to minimize learning curve of a new control panel.

Standard Features

- USB connection
- Ethernet connectivity
- Modbus RTU protocol with standard remote control capabilities
- Password protection
- Available SD card storage
- Expandable system control
- Ethernet Protocol for AB CompactLogix and MicroLogix processors (default)

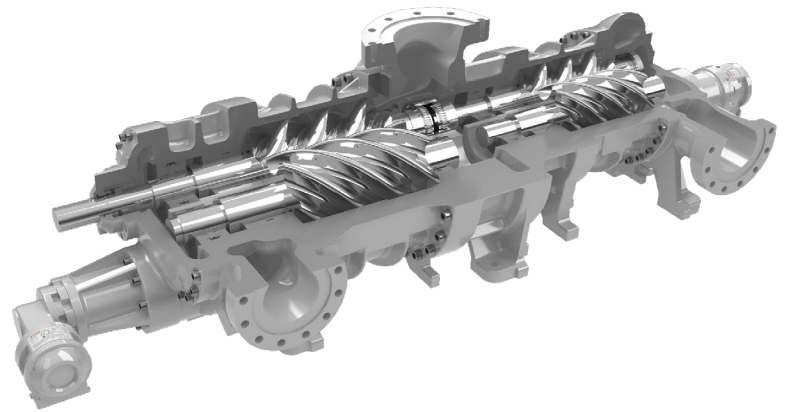
Optional Features

- Main status set points monitor available at any controller screen
- SSR I/O switch type
- Real time and Historical trending
- Programmable ID for optional analog inputs
- Calibration menu
- Class I, Div.2 option available
- Quick menu setpoint access



SIZE CHART

Models	Speed (RPM)	Displacement (CFM)	
		Low stage	High stage
1610SLC-62	2610*	215	79
1610SLC-63	3160*	260	96
1610SLC-64	3870*	317	118
1612SLC	3550	294	139
1612LLC	3550	441	210
2016SSC	3550	574	294
2016MSC	3550	718	294
2016LSC	3550	859	294
2520SSC	3550	1120	574
2520SLC	3550	1120	859
2520MSC	3550	1400	574
2520LSC	3550	1670	574
2520LMC	3550	1670	718
3225SSC	3550	2250	1120
3225MSC	3550	2800	1120
3225LSC	3550	3350	1120
3225LLC	3550	3350	1670
4032SSC	3550	4590	2250
4032SLC	3550	4950	3550
4232MSC	3550	5770	2250
4032MLC	3550	5770	3350
4032LSC	3550	6890	2250
4032LLC	3550	6890	3350
4032LLSC	3550	8120	2250
4032LLLLC	3550	8120	3970



MAYEKAWA USA, INC.
<https://americas.mayekawa.com/mna>

Tel: +1 (832) 975-0975
 24 Hr Service: +1 (800) 836-9266
 Email: info@mayekawausa.com

MAYEKAWA CANADA, INC.
<https://americas.mayekawa.com/mna>

Vancouver: +1 (604) 270-1544
 Calgary: +1 (403) 250-1554
 Toronto: +1 (905) 564-0664



* The information contained herein is for reference only. Subject to change without notice.
 Part No. MKT00005 Rev. 2