

J

MAYEKAWA
MYCOM

Series

Screw Compressor Package



Single Stage
Open Type

<https://americas.mayekawa.com/mna>

J

Series

J-Series Screw Compressor Package

Premium efficiency screw compressor package

THE NEW STANDARD

The J-Series with its innovative rotor profile has revolutionized the refrigeration industry. Due to our superior design and focus on energy efficiency, the COP (Coefficient of Performance) has even surpassed Mayekawa's traditionally high standards.

FLOATING HEAD PRESSURE

- Energy savings
- Extremely low noise and vibration
- 508 PSIG design pressure for a wide range of applications
- API (American Petroleum Institute) grade hydro dynamic radial bearings for a reliable and efficient operation
- Flange motor for easy motor alignment*. Both compressor and flange spacer are base mounted for ease of service.

*(flange mounted motors on 170 and 220 only)

LOW TEMPERATURE APPLICATION BENEFITS

The J-Series really outperforms its competition when operated at low temperatures single stage economized. With a large allowable compression ratio the J-Series can run single stage systems that traditionally had to be two stage, saving money and space and making system design simpler.

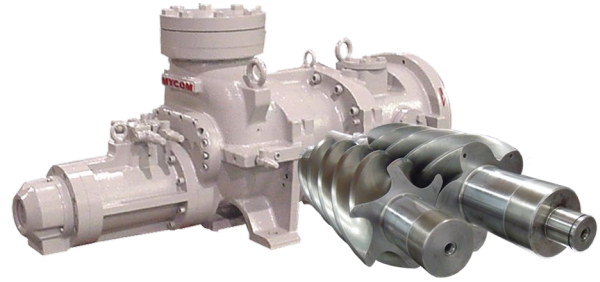


SPECIFICATIONS

		170J S / M / L	220J S / M / L	280J S / M / L
Refrigerant		NH3 / HFC / CO2 / Propane		
Weight of Compressor	lb	4,860 / 4,904 / 4,970	7,700 / 7,876 / 8,010	18,750 / 19,080 / 19,520
Min. Rotation	rpm	1,450		
Max. Rotation	rpm	4,500		3,600
Displacement @ 3,550rpm	CFM	276 / 359 / 467	606 / 788 / 1,025	1,335 / 1,735 / 2,259
Capacity Control		25 to 100% (or 30 to 100% in the case of L size)		
Vi Control		Standard: 2.5 to 5.0		
Design Pressure	MPa/PSI	3.5 / 508		
Refrigerant Oil		Call local Mayekawa branch, or refer to compressor IOM manual.		

THE COMPRESSOR

- Designed to provide more CFM for less HP. It is up to 13.9% more efficient than conventional screw compressors.
- World renowned MYCOM screw reliability
- Auto Vi from 2.5 to 5.0
- Infinite slide valve allows load and unload control from 25% to 100%.
- J-profile rotor for superior performance



PACKAGE FEATURES

- Hydraulic slide valve to match system load
- Variable or adjustable Vi for energy savings
- Options for water, thermosyphon, and liquid injection oil cooling
- MYPRO TOUCH+ control panel

NEW ROTOR PROFILE



J-profile engineering allows a more proficient meshing between the lobes, which are now 5 and 6 for male and female respectively. The end result is superior performance.

MYPRO TOUCH+

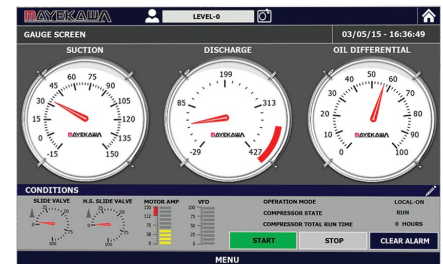
The next generation MYPRO TOUCH+ control panel is designed to maximize the performance of your MYCOM compressor package. The new touch screen interface boasts a revised control designed to minimize learning curve of a new control panel.

Standard Features

- USB connection
- Ethernet connectivity
- Modbus RTU protocol with standard remote control capabilities
- Password protection
- Available SD card storage
- Expandable system control
- Ethernet Protocol for AB CompactLogix and MicroLogix processors (default)

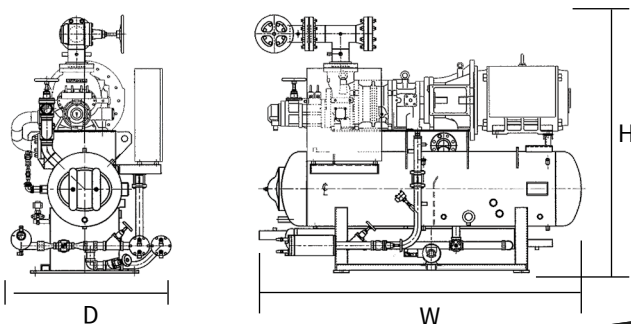
Optional Features

- Main status set points monitor available at any controller screen
- SSR I/O switch type
- Real time and Historical trending
- Programmable ID for optional analog inputs
- Calibration menu
- Class I, Div.2 option available
- Quick menu setpoint access



DIMENSIONS

Dimensions are for reference only. Please contact MYCOM for more detailed drawings.



	mm (inch)		
	170J	220J	280J
W	2,637 (103 13/16)	3,556 (140)	5,232 (206)
D	1,314 (51 4/3)	1,524 (60)	1,778 (70)
H	2,044 (80 7/16)	2,591 (102)	3,150 (124)

*220J and 280J for reference only.

MAYEKAWA USA, INC.
<https://americas.mayekawa.com/mna>

Tel: +1 (832) 975-0975
 24 Hr Service: +1 (800) 836-9266
 Email: info@mayekawausa.com

MAYEKAWA CANADA, INC.
<https://americas.mayekawa.com/mna>

Vancouver: +1 (604) 270-1544
 Calgary: +1 (403) 250-1554
 Toronto: +1 (905) 564-0664

MAYEKAWA
MYCOM